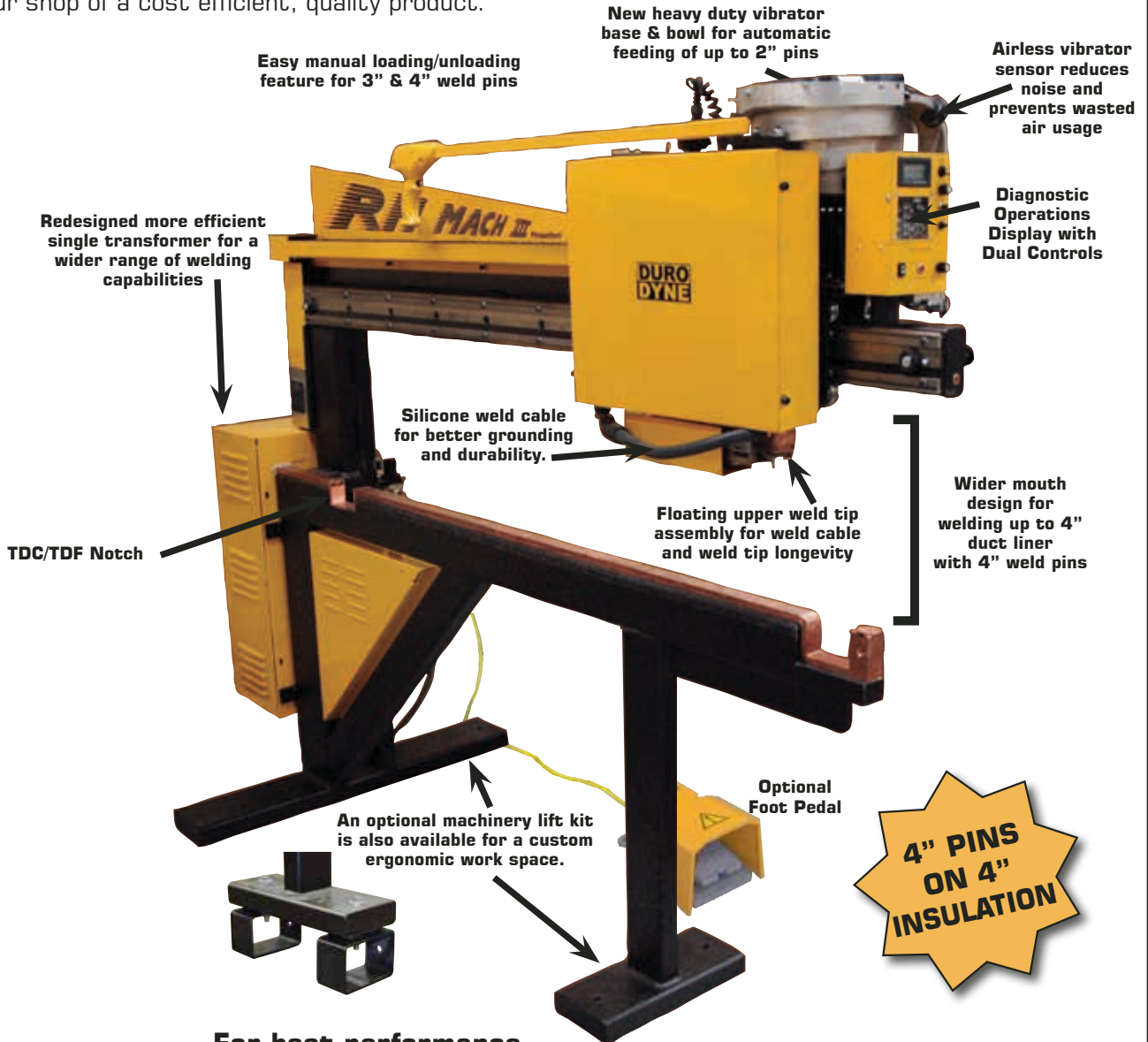


**MODEL RH
PINSPOTTER
ROLLING HEAD
ITEM #18005**

RH MACH III

The RH Mach III Pinspotter features a more efficient transformer that provides a wider range of welding capabilities. The Heavy Duty Vibrator Bowl and base weld pins up to 2" and the optional manual feed accommodates pins up to 4" on 4" insulation. A floating upper weld tip and an optional lift kit are among some of the improvements to this Pinspotter. The RH Mach III also features a notch on the support bar to easily accommodate TDC/TDF duct. The ability to move the trolley instead of the ductwork minimizes material handling. This feature coupled with utilization of welded pins will insure your shop of a cost efficient, quality product.



**For best performance,
use genuine Duro Dyne insulation fasteners**



MACHINERY DIVISION
© 2016 Duro Dyne Corporation
Printed in USA 11/2016
BC018405



FEATURES

TROUBLE-FREE MOVEMENT

Precision polished and hardened tracks combined with ground bearings, assure trouble-free movement of the trolley assembly.

SOLID-STATE COMPONENTS

Components proven under rigorous shop usage, control the pneumatic and weld circuitry. Few adjustments are required.

CONVENIENTLY LOCATED CONTROLS

One knob adjustment sets the weld and dwell times for perfect welds every time. A digital display provides easy reference to the settings for repeatability.

WELD CYCLE INDICATOR

A centrally located weld cycle indicator confirms power to the transformers on every cycle.

OPERATIONS DISPLAY

Your RH Mach III Pinspotter is provided with an Operations Display to help identify the source of the problem should your pinspotter fail to perform properly. Watching these lights will give you a clear indication of the electrical flow of the various circuits and components during use. Simply press the footswitch/handgun and watch to see which light fails to illuminate.

DUAL SOLID STATE CONTROLS

The RH Mach III features two electronic weld relays. Should one fail during a job a simple flip of a switch puts the backup online so you can continue working while waiting for a replacement part.

ELECTRONIC FEED TRACK SENSOR

An electronic sensor controls the vibrator to assure a full feed track of pins when ready for welding. Reloading is as easy as positioning the trolley assembly at the edge of the machine.

MULTI-TAP TRANSFORMER

The new multi-tap transformer allows for 8 different power settings to accommodate a wider range of welding capabilities more efficiently.

18 GAUGE CAPACITY

With a custom designed high powered transformer, the RH will weld up to 4" pins to 18 gauge effortlessly.

PNEUMATIC BRAKE

A pneumatic brake cylinder locks the rolling assembly in position during weld cycle to ensure a quality weld.

PROTECTIVE HARNESS

A specially designed flexible harness protects the air line and weld cable from incidental damage and assures fatigue-free movement.

FIXED HEAD FOOT PETAL WELDING

To convert the RH for fittings, draw the welding tip to open end of frame and slide the quick release pin into position locking the weld tip over the fittings mandrill.

FOOTSWITCH

The footswitch frees the operator for handling of small fittings and odd shapes. It features a protective covering to minimize the accidental actuation of the machine. 16 foot cable length.



BALL TRANSFER

Roller feed tables with ball transfers adjoining the RH enable work to be easily positioned by the operator; in many cases with just one hand. Productivity is increased and worker fatigue minimized.

Ball Transfers
DD Item #27025
Code: BT100



SPECIFICATIONS

ELECTRICAL:

Input voltage: 230V, single phase, 60 amp service.

AIR REQUIREMENTS:

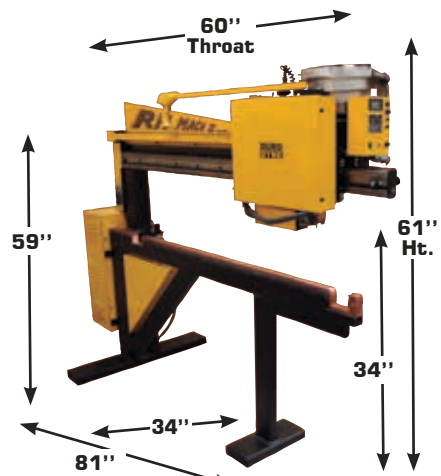
Input pressure of 80 psi.

THROAT SIZE:

A 60" throat allows fasteners to be placed up to 1.5" from each edge of a 5' sheet without repositioning.

RIB PIN CAPACITY:

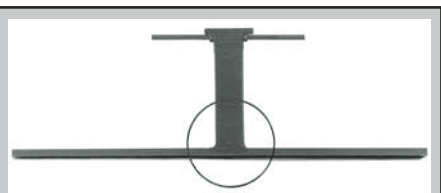
The vibrator bowl holds approximately 1,000, 1 inch fasteners. Fasteners of .5" to 2" in length may be fed automatically.



An optional machinery lift kit is also available for a custom ergonomic work space.



Item # 17135
Code: FG/RH Lift Kit
Multi-Height Pinspotter Lift Kit.
Will allow for height increase of 4" or 6".



Note: For best performance, use genuine Duro Dyne insulation fasteners

Duro Dyne East Division, Bay Shore, NY
Duro Dyne Midwest Division, Hamilton, OH
Duro Dyne West Division, Longmont, CO
Duro Dyne Canada, Lachine, Quebec, Canada

631-249-9000 Fax: 631-249-8346
513-870-6000 Fax: 513-870-6005
562-926-1774 Fax: 562-926-5778
514-422-9760 Fax: 514-636-0328

www.durodyne.com E-mail: durodyne@durodyne.com